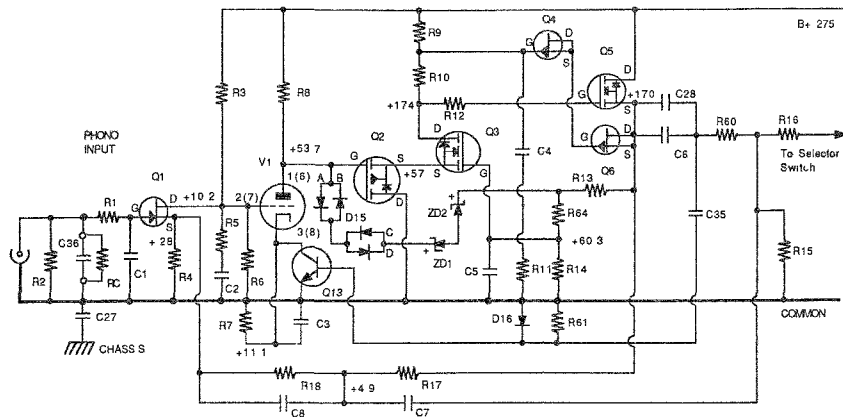


# AUDIO RESEARCH SP14 AND CLASSIC 60



SP-14 disc input, one channel, showing solitary valve (half of an ECC88)

## Manufacturer's specification SP14

Frequency response line ( $\pm 0.5$ dB)	5Hz 50kHz
RIAA accuracy 30Hz 40kHz	$\pm 0.3$ dB
Gain disc input to main output	66dB
Output impedances (main/tape)	250ohm/1k ohm
Rated output 5Hz 50kHz	2V RMS
Maximum output at 1kHz (1.2% THD)	50V
Dimensions (whd) exc handles	48x13.4x26cm
Weight	5.5kg
Typical price inc VAT	£2950

## Manufacturer's specification Classic 60

Continuous power output (15Hz 20kHz 16 ohms 1% THD)	60W
Power bandwidth (3dB points)	12Hz 40kHz
Input sensitivity rated output	0.55V RMS
Input impedance (nominal)	00k ohms
Slew rate	20V/ms
Hum and noise ref rated output	84dB
Dimensions (whd) exc handles	48x18x40cm
Weight	28.64kg
Typical price inc VAT	£3150

### Supplier:

Absolute Sounds, 318 Worples Road, London SW20. Tel 01-947 5047